

OUTDOOR LIGHTING

EVO



GENERAL

EVO
Article number _____ 10202500
Category _____ solitary
Light source _____ LED
Color changing _____ no
Warranty _____ 5 years

DIMENSIONS

Length _____ 120 mm / 4.72"
Width _____ 50 mm / 1.97"
Height _____ 606 mm / 23.86"
Diameter _____ -
Total height _____ 606 mm / 23.86"
Recess depth _____ -

ELECTRONICS

Voltage _____ 12V AC
Output _____ 2.00 Watt
VA _____ 2.10
Power factor _____ 0.95
Light source _____ 27x SMD-LED 0.6W
Lifetime _____ 25000 hours
Dimmable _____ no
Length of cable lead _____ 600 mm / 24"

LIGHT SPECIFICATIONS

Color temperature _____ 2950 K
CRI (RA) _____ 95
Luminous intensity _____ 54.40 Cd
Light beam 0-180 _____ 58°
Light beam 90-270 _____ 86°
Net luminous flux _____ 76 lumen
Luminous efficiency _____ 38 lumenwatt

MATERIAL

Ring Plate _____ -
Lens _____ acrylic (PMMA)
Exterior _____ aluminum
Easy Lock included _____ yes
Installation hardware included _____ yes

AVAILABLE PRODUCT COLORS

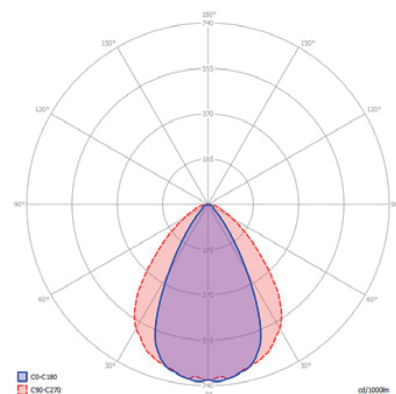
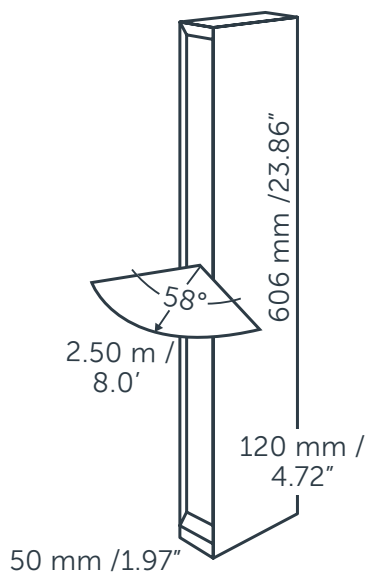
■ Black

AVAILABLE ACCESSORIES

-

PROTECTION RATING

IP : 55



ILLUMINANCE - CONE OF LIGHT		
CENTER BEAM (FC)	BEAM DIAMETER (FT)	DISTANCE (FT)
6	3.33	3.0
3	4.99	4.5
2	6.65	6.0
1	9.42	8.5
1	11.09	10.0
0	12.75	11.5

Beam angle (0-180°): 58°
edge illuminance is 1/2 of Centre beam

ILLUMINANCE - CONE OF LIGHT		
CENTER BEAM (FC)	BEAM DIAMETER (FT)	DISTANCE (FT)
6	5.60	3.0
3	8.39	4.5
2	11.19	6.0
1	15.85	8.5
1	18.65	10.0
0	21.45	11.5

Beam angle (90-270°): 86°
edge illuminance is 1/2 of Centre beam

12 VOLT



in-lite®