

# PUCK

## GENERAL

PUCK  
 Category: integrated  
 Light source: LED  
 Color changing: no  
 Warranty: 5 years

## DIMENSIONS

Length: -  
 Width: -  
 Height: 58 mm / 2.28"  
 Diameter: 86/60 mm / 3.39"/2.36"  
 Total height: -  
 Recess depth: 55 mm / 2.17"

## ELECTRONICS

Voltage: 12V AC  
 Output: 1.50 Watt  
 VA: 2.50  
 Power factor: 0.60  
 Light source: 3x SMD-LED 0.5W  
 Lifetime: 25000 hours  
 Dimmable: no  
 Length of cable lead: 600 mm / 24"

## LIGHT SPECIFICATIONS

Color temperature: 2900 K  
 CRI (RA): 96  
 Luminous intensity: 1.34 Cd  
 Light beam 0-180: 180°  
 Light beam 90-270: 360°  
 Net luminous flux: 11 lumen  
 Luminous efficiency: 7 lumenwatt

## MATERIAL

Ring Plate: aluminum  
 Lens: polycarbonate  
 Exterior: polycarbonate  
 Easy Lock included: yes  
 Installation hardware included: yes

## AVAILABLE PRODUCT COLORS

- Black: 10104165
- Pearl Grey: 10104160

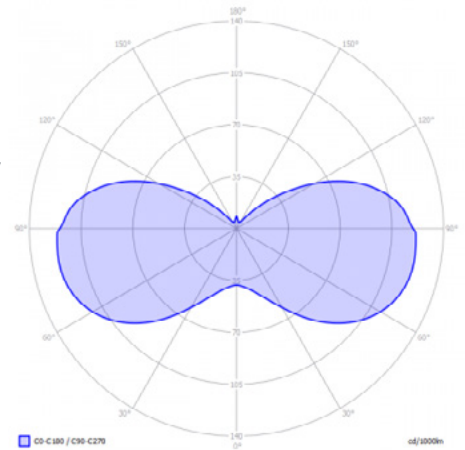
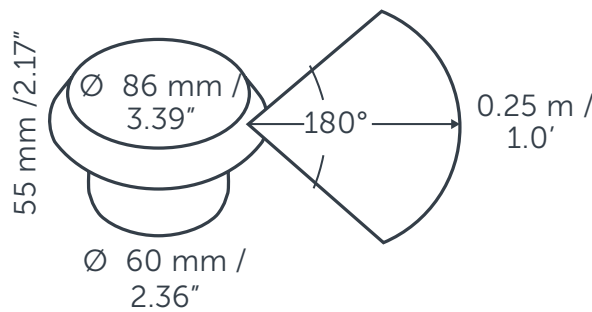
## AVAILABLE ACCESSORIES

-

## PROTECTION RATING

IP : 67

Distance		Light circle 0-180°		Light circle 90-270°		Illuminance [lux]
[m]	[ft]	[m]	[ft]	[m]	[ft]	
0.1	0.3	-	-	-	-	134.0
0.2	0.7	-	-	-	-	33.5
0.3	1.00	-	-	-	-	14.9
0.4	1.3	-	-	-	-	8.4
0.5	1.6	-	-	-	-	5.4
0.6	2.0	-	-	-	-	3.7
0.3	1.0	-	-	-	-	14.5



in-lite®

12 volt

