

Composite Balustrade Specification



Straight Balustrade

Spindle Size	955mm
Spindle Width	50mm
Spindle Depth	30mm
Spindle Finish	Lightly Brushed
Spindle Weight	1.2kg
Colours	Grey, Coffee, Charcoal (To match our fencing & decking colours)
Balustrade Options	Straight
Material	WPC for Spindles. Aluminium for Posts, Handrails and Fixing Accessories
Use	Domestic and Commercial

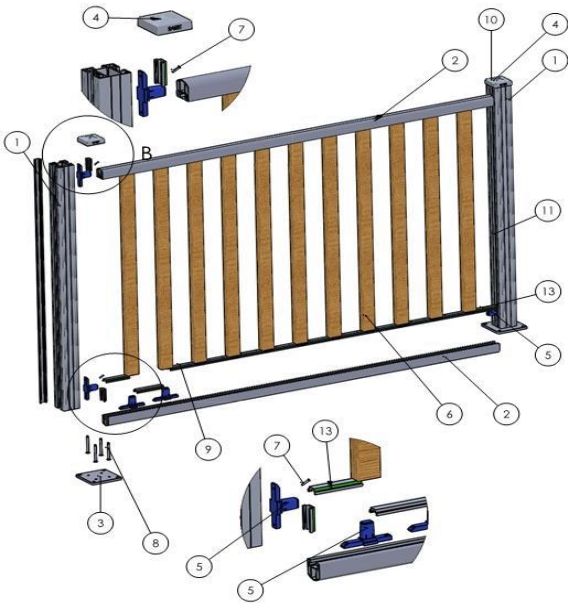
Staircase Balustrade

Spindle Size	1000mm
Spindle Width	50mm
Spindle Depth	30mm
Spindle Finish	Lightly Brushed
Spindle Weight	1.26kg
Colours	Grey, Coffee, Charcoal (To match our fencing & decking colours)
Balustrade Options	Staircase
Material	WPC for Spindles. Aluminium for Posts, Handrails and Fixing Accessories
Use	Domestic and Commercial

Fixing and Accessories

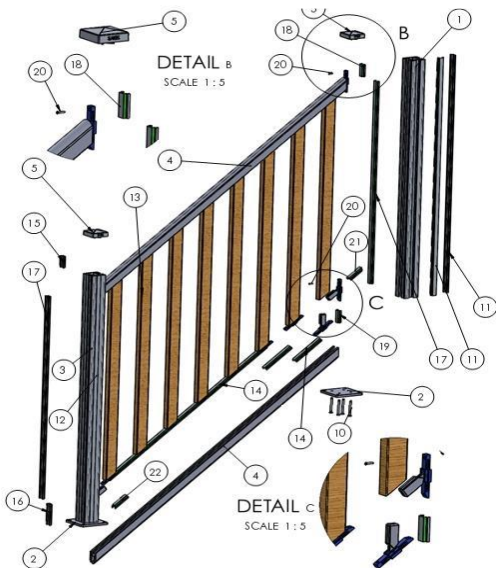
	Top Handrail	1.73m x 45mm x 45mm	Powder Coated Aluminium RAL 7022
	Bottom Handrail	1.73m x 45mm x 45mm	Powder Coated Aluminium RAL 7022
	Base Plate	10mm x 130mm x 130mm	Powder Coated Aluminium RAL 7022
	Post	1.155m (straight Balustrade) / 1.2m (Staircase Balustrade) x 70mm x 70mm	Powder Coated Aluminium RAL 7022
	Cap	To cover the 70mm x 70mm Post	Zinc Dye Cast RAL 7022
	Insert	Various sizes available depended on requirement	Powder Coated Aluminium RAL 7022
	Insert	1.155m to cut dependent on Staircase angle required	Powder Coated Aluminium RAL 7022
	T Widget	20mm x 17mm x 36mm (Straight Balustrade)	Black plastic
	90° T Widget	24mm x 17mm x 48mm (Staircase Balustrade)	Black plastic

Straight Balustrade



ITEM NO	PRODUCT CODE	DESCRIPTION	QTY
1	FY-BALPOSTKIT1.155	1 X 1.155m post with cap & 0.983mm insert	2
2	FY-BALRAIL1.73	Top & Bottom Handrail	1
3	FY-BASEP	10mm Base Plate & Post Bolts	2
4	FY-BALPOSTKIT1.155	Post Cap	INCLUDED WITHIN KIT
5	FY-TBRACKET	T Brackets & Screws	26
6	FY-FSCBALSTAIRUP	FSC 100% Composite Spindels	11
7	FY-TBRACKET	Screws	INCLUDED WITHIN KIT
8	FY-BASEP	10mm Base Plate & Post Bolts	INCLUDED WITHIN KIT
9	FY-INSERT0.1195	Insert 119.5mm	20
10	FY-BALPOSTKIT1.155	Insert 1155mm	INCLUDED WITHIN KIT
11	FY-BALPOSTKIT0.983	Insert 982.5mm	INCLUDED WITHIN KIT
12	FY-INSERT0.565mm	Insert 56.5mm	4
13	FY-INSERT0.105mm	Insert 105.0mm	4

Staircase Balustrade



ITEM NO	PRODUCT CODE	DESCRIPTION	QTY
1	FY-BALPOST1.200	1 X 1.200m post with cap & 0.983mm insert	2
4	FY-BALRAIL1.73	Top & Bottom Handrail	1
2	FY-BASEP	10mm Base Plate & Post Bolts	2
5	FY-BALPOST1.200	Post Cap	INCLUDED WITHIN KIT
16	FY-ANGLEBRACKET	T Brackets & Screws	26
13	FY-FSCBALSTAIRUP	FSC 100% Composite Spindels	11
11,12,15,19	FY-INSERT1.155	Insert 119.5mm	3

Composite Mix

- 50% Recycled Wood
- 45% Recycled Plastic
- 5% Anti UV agent, Anti Oxidant Agent, Stabilizes, Colorants, Anti Fungus agent, Reinforcing agent